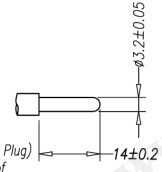
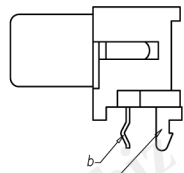
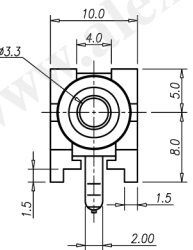
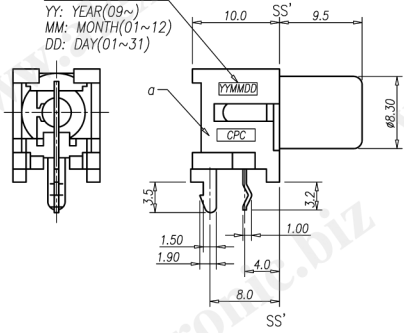


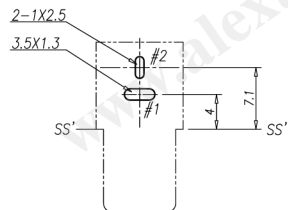
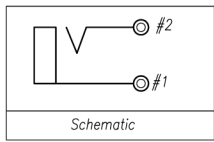
CATEGORY	DESCRIPTION	P/N #
CONNECTOR	RCA Jack 1*1 Port, R/A, T/H	RJ05CR-11071-XX0C

REV.	ECN NO	DESCRIPTION	REVISED	DATE
A01		New Release	GMC	2009.11.26

d: Date Code
 YY: YEAR(09~)
 MM: MONTH(01~12)
 DD: DAY(01~31)



- SPECIFICATION
- Voltage and Current Rating: 12V & 1A
 - Contact resistance: 30mΩ MAX.
 - Insulation resistance: 100MΩ MIN. @ DC500V
 - Withstand voltage: 500VAC for 1min
 - Insertion Force: 3Kgf MAX.
 - Extraction Force: 0.3Kgf MIN.
 - Withdrawal Force for Center Contact: 0.08Kgf MIN.
(Use a OD=3.2±0.005mm, Length=14±0.2mm Gauge Plug)
 - Terminal Strength: The terminal shall be capable of withstanding a force of 3Kgf applied in any direction for 0.5 secs without losing and breakdown
 - Life test: 1,500 cycles
 - Temperature Range: -25°C~70°C
 - To conform with the "QC-03-045" & "RoHS DIRECTIVE"
 - Solder heat resistance: wave soldering 260°c 5 secs



Recommend PCB Layout
 (Jack Top View)
 Tolerance: ±0.05mm
 Recommend PCB Thickness: 1.6mm

PART NO.:
 RJ05CR-11071-XX0C
 表示CPC
 Color Scheme

Color Scheme

XX	Housing Color
00	Black
02	Red
03	Orange
04	Yellow
05	Green
06	Blue
07	Purple
09	White

Product Drawing
ALEXTRONIC

NO.	PART NAME	Q'TY	MATERIAL	PLATING & COLOR	Remark
d	Ink	1	Domino IR-270BK & MC-270-BK	Black	
c	Terminal #2	1	Brass, T=0.5mm	80u"Min Tin Plated over 30u" Ni Plated Overall	
b	Terminal #1	1	Brass, T=0.4mm	40u"Min CuSn Plated over 30u" Ni Plated Overall	
a	Housing	1	PBT UL94V-0	See Color Scheme	

UNLESS OTHERWISE SPECIFIED TOLERANCES	SCALE: 1/1	UNIT: mm	DWG. NO: WI-061-769
	SIZE: A3	PAGE: 1 OF 1	REV: A01
DECIMALS: X : ±0.5 X.X : ±0.3 X.XX : ±0.2	ANGLES: X : ±2° X.X : ±1°	APPROVED BY	CHECKED BY
		WYX	Pengjie
			GMC
CUSTOMER COPY			